

► Models FB2LED and FB2LED-QC

Fireball® LED Warning Light



Model FB2LED is a multi-pattern LED available in single color and quad-color models. Single color models are available in five colors (Amber, Blue, Clear, Green, Magenta, and Red) and feature Federal Signal's patented Power Select™ technology. PowerSelect allows a user to select one of three flash patterns (60 FPM, 120 FPM, and steady) without having to open the unit, by following a sequence when power is applied.

Quad-color models feature four colors (Amber, Blue, Green, and Red) and four flash patterns (60 FPM, 120 FPM, simulated strobe, and steady) per unit. Sixteen color and flash pattern combinations are achieved by wiring selection.

FB2LED is available in 12-24VDC and 120-240VAC. The zinc die-cast alloy base features an integrated 1/2-inch NPT pipe mount and three holes required for surface mount configurations. Vertical wall and corner mounting accessories are sold separately.

The housing for FB2LED is designed to protect against corrosion, vibration, and water- and dust-ingress and high pressure and temperature spray-downs. The unit is ideal in harsh applications including industrial warning, process control, status indication, and food processing.

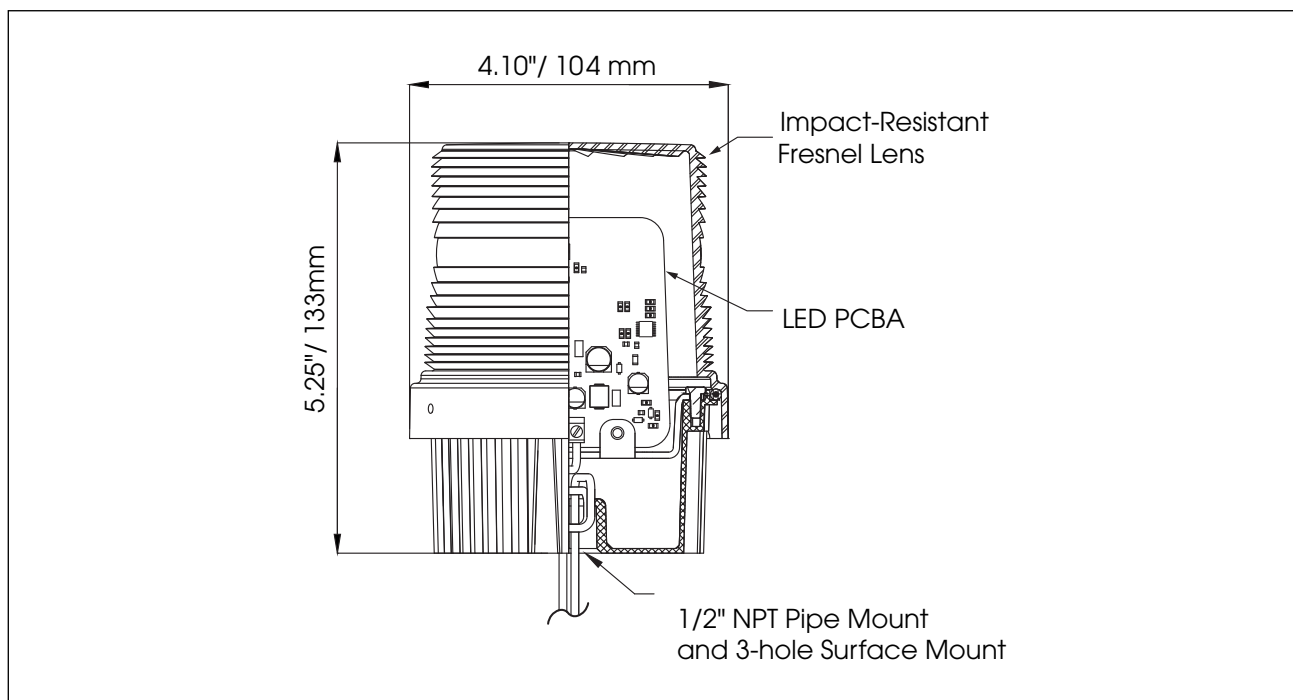
FEATURES

- Available in 12-24VDC or 120-240VAC
- Quad-color models are available with a clear lens, four colors (Amber, Blue, Green, Magenta, and Red, and four flash patterns) in one unit
- Single color models are available with Amber, Blue, Clear, Green, or Red LEDs/lens and have three flash patterns
- 50,000 hour LED
- Integrated 1/2-inch NPT pipe and surface mount
- Indoor/outdoor use
- Conformal coated PCBA
- IP66 enclosure, Type 4X
- IP67, IP69K compliant
- UL and cUL Listed

MODEL	VOLTAGE	OPERATING CURRENT	LIGHT OUTPUT	MOUNT
FB2LED-012-024 *	12-24VDC	0.48-0.24 amps	300 cd	1/2" NPT Pipe/Surface
FB2LED-120-240 *	120-240VAC 50/60Hz	0.03 amps	300 cd	1/2" NPT Pipe/Surface
FB2LED-QC-012-024	12-24VDC	0.32-0.17 amps	200 cd	1/2" NPT Pipe/Surface
FB2LED-QC-120-240	120-240VAC 50/60Hz	0.055 amps	200 cd	1/2" NPT Pipe/Surface

* Indicates color: (A) Amber, (B) Blue, (C) Clear, (G) Green, or (R) Red

Fireball® LED Warning Light (FB2LED and FB2LED-QC)

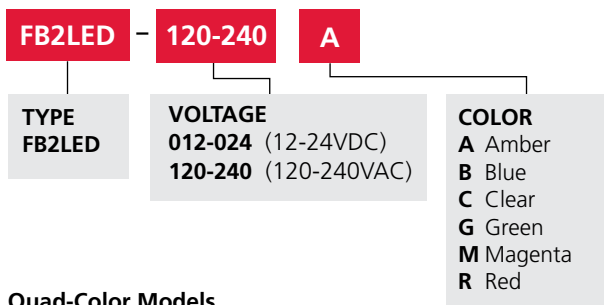


SPECIFICATIONS

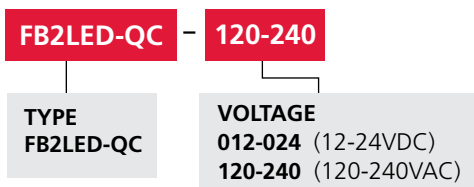
Lamp Life:	50,000 Hours
Light Source:	LED
Electrical Operating Temperature:	-49°F to 150°F -45°C to 66°C
Certified Operating Temperature:	-49°F to 150°F -45°C to 66°C
Net Weight:	1.3 lbs 0.59 kg
Shipping Weight:	1.5 lbs 0.68 kg
Height:	5.25" 133mm
Diameter:	4.10" 104mm

HOW TO ORDER

Single Color Models



Quad-Color Models



REPLACEMENT PARTS

Description	Part Number
PCBA, 12-24VDC, for Amber, Green, or Red units	K20000401A
PCBA, 12-24VDC, for Blue, Magenta, or Clear units	K20000401A-01
PCBA, 120-240VAC, for Amber, Green, or Red units	K20000426A
PCBA, 120-240VAC, for Blue, Magenta, or Clear units	K20000426A-01
PCBA, 12-24VDC, for Quad-Color units	K20000459A
PCBA, 120-240VAC, for Quad-Color units	K20000458A

OPTIONAL ACCESSORIES

Description	Part Number
Wire Guard	FB2G
Wall Mount Bracket, 4X Rated	LSWB
Corner Mount Bracket, 3R Rated	LCMB2*

* LCMB2 is 3R Rated. In combination with a 4X unit, the product defaults to 3R.



FB2G