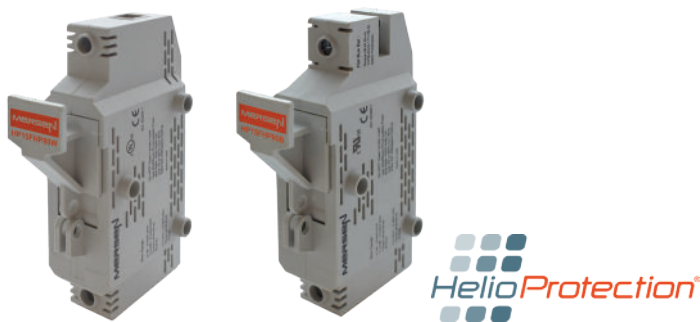


HP15FHP80

HelioProtection® Fuse Holders for PV Applications

FUSE BLOCKS & HOLDERS

UP TO 80A FOR USE IN HIGHER AMPERAGE PV SYSTEMS



Mersen's 1500VDC HelioProtection fuse holders for 20x65mm PV fuses introduce the next level of safety for higher amperage utility-scale photovoltaic applications. The HP15FHP80 fuse holders are finger safe (IP20 ingress protection rated) and feature a rotating fuse carrier like the Mersen UltraSafe® fuse holders.

The HP15FHP80 series offers two configurations to fulfill global market requirements. One configuration offers input and output terminals that accept standard PV rated wiring and comb bus bars, providing added versatility for end-use installations. The second accepts wire and bus bar terminations. The body features a high performance UL 94 V-0 rated polymer material, providing superior flammability rating, with exceptional durability and dielectric withstand properties.

Technical Data Overview	
Volts	1500VDC Maximum
Amps	80A Maximum
Short-Circuit Current Rating (SCCR)	50kA DC
Operating Temperature	-40 to +125°C
Required terminal torque	22 in-lbs/2.5N-m

FEATURES/BENEFITS

- Terminations
 - **HP15FHP80W:** Wire/Wire
 - **HP15FHP80B:** Wire/Bus Bar
- Clamping:
 - **HP15FHP80W:** Screw clamp
 - **HP15FHP80B:** Patented Bus Bar clamp
- UL 94 V-0 rated
- Use with PV-rated copper wire
 - Wire range: #1-14 AWG CU/AL
- IP20 rated (finger safe)
- 35 mm DIN Rail Mounting
- Lock Out/Tag Out feature
- Accepts Mersen HP15P 20x65mm PV fuses
- Front loading of the fuse allows for ease of installation and removal of fuse
- Fuse stabilization feature allows inverted mounting
- Fuse door handle designed with ergonomic grip
- Molded standoffs allow increased air circulation in panel applications

APPLICATIONS

- All photovoltaic applications
- PV string/array level protection
- Combiner box applications
- In-line PV module protection
- Inverters
- Battery charge controllers
- 1500VDC Combiner Boxes

APPROVALS/STANDARDS

- | | |
|--|---|
| <p>HP15FHP80W:</p> <ul style="list-style-type: none"> • UL 4248-19 Listed • IEC 60269-2 • UKCA | <p>HP15FHP80B:</p> <ul style="list-style-type: none"> • UL Recognized Component, evaluated to UL 4248-19 • IEC 60269-2 • UKCA |
|--|---|



© 2023 Mersen. All rights reserved. Mersen reserves the right to change, update, or correct, without notice, any information contained in this datasheet.

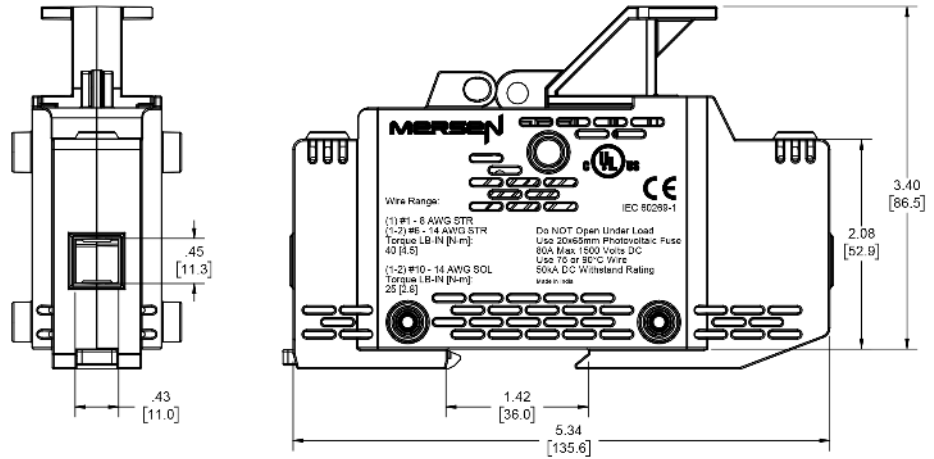
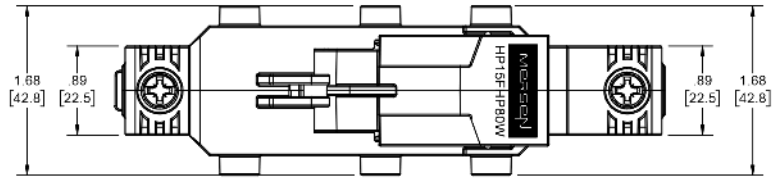
HP15FHP80

HelioProtection® Fuse Holders for PV Applications

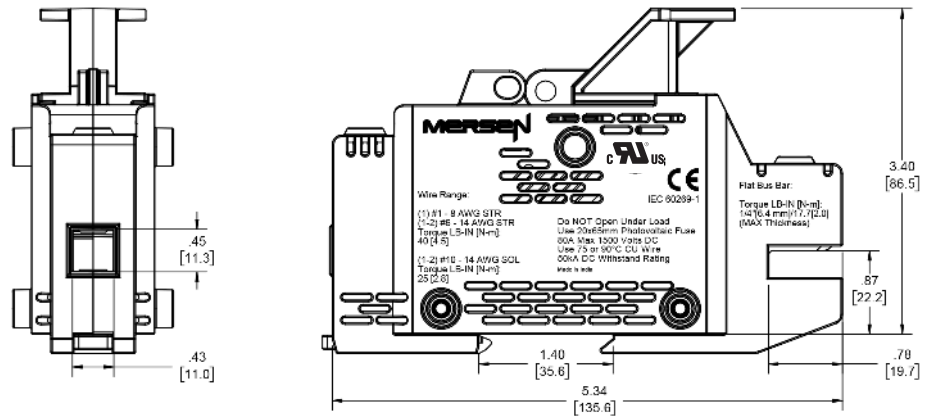
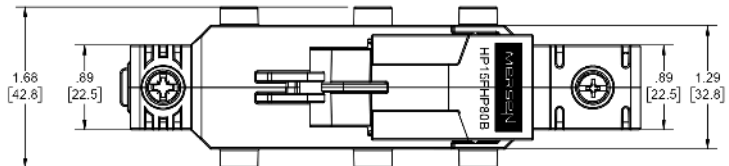
FUSE BLOCKS & HOLDERS

DIMENSIONS (MM):

HP15FHP80W (Wire/Wire)



HP15FHP80B (Wire/Bus Bar)



© 2023 Mersen. All rights reserved. Mersen reserves the right to change, update, or correct, without notice, any information contained in this datasheet.