

**CONNECTED HIGH BAY**



**WIRELESS SENSORS**

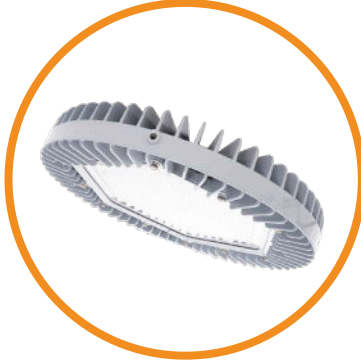
**GATEWAY CONTROLLER**

**Dialight® IntelliLED™ Wireless Controls**

Technical System Specification Sheet - UL

# Vigilant® & SafeSite® Ultra-Efficient High Bay

## Corded Model



### Mechanical Information:

**Fixture weight:**  
18 lbs (8.16kg)

**Shipping weight:**  
24 lbs (10.8kg)

**Mounting:**  
3/4" NPT - top  
Various Kits

**Power Cord:**  
10' 18 AWG ST00W/S00W

Patent pending

## Integrated Wiring Box Model



### Mechanical Information:

**Fixture weight:**  
20 lbs (9 kg)

**Shipping weight:**  
26 lbs (12 kg)

**Mounting:**  
3/4" NPT or Hook

**Wiring Box Cable Entries:**  
(2x) 3/4" NPT

Our state-of-the-art, highly efficient Vigilant® High Bay fixture can communicate wirelessly with all components in the IntelliLED™ system.

### Certifications & Ratings:

10 year warranty  
UL 1598/A  
UL 8750  
IP66/67

CSA C22.2 No. 250.0-08  
NEMA 4X  
L70 rated for >150,000 hours  
Class I, Div. 2 Groups A, B, C, D (SafeSite® models only)

### Variable Dimming:

**Variable Dimming Control:** 0-10 VDC

**Dimming Range:** 10 VDC = 100% light output  
0 VDC = <10% light output

### Occupancy Sensor:

**Mounting Height:** Up to 40ft  
**Ingress Protection:** IP66

### Electrical Specifications:

**Operating Voltage:** 100-277 VAC, 120-250 VDC  
347-480 VAC

**Total system power consumption:** See table

**Operating Temp:** -40°F to +149°F (-40°C to +65°C)

**Harmonics:** IEC 61000-3-2 Class C

**Noise requirement /EMC:** FCC Title 47, Subpart B, Section 15, class A device. RF Immunity; 10V/m, 80MHz-1GHz

**Transient protection:** 100-277 VAC models tested to withstand up to 8kV/4kA per IEEE C62.41.  
347-480 VAC models tested to withstand up to 6kV/3kA per IEEE C62.41

**THD:** <20%

**Power Factor:** >0.9

**Fusing:** Internal

### Construction:

**Housing:** Copper free aluminum

**Finish:** Superior dual coat finish  
Sealed polyester topcoat  
Chemical-resistant epoxy primer

**Lens:** See table

### Photometric Information:

**CRI:** 80

**CCT:** 5000K (cool white)  
4000K (neutral white)

All values typical unless otherwise stated (tolerance +/- 10%)

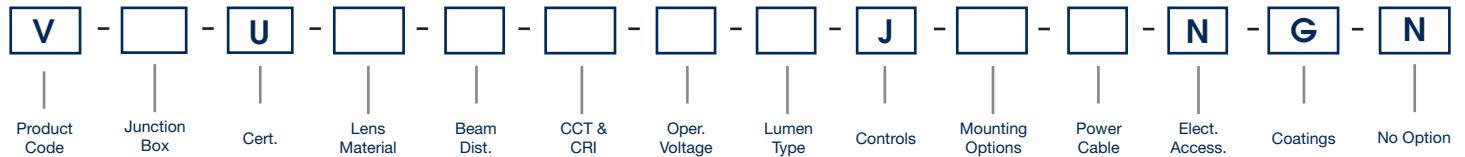
Dimensions in inches (mm)

Please reference spec sheet at [www.dialight.com](http://www.dialight.com) for all High Bay technical information.

**WARNING - INSTALLATION & SECONDARY RETENTION.** Use of any Dialight products without proper installation (including secondary retention / netting) and periodic inspections could cause severe injury or death. Dialight recommends that all installations should use secondary retention / netting (appropriate to the installation environment) where applicable. It is the exclusive responsibility of the contractor, installer and/or end-user to: (a) determine the suitability of the product for its intended application; and, (b) ensure that the product is safely installed (with secondary retention / netting where appropriate) and in compliance with all applicable laws and regulations. To the extent permissible under applicable laws, Dialight disclaims all liability for personal injury and/or other damage resulting from any dislodgment or other dislocation of its products.

# Vigilant® & SafeSite® Ultra-Efficient High Bay

## Ordering Information



**Product Code**

V Vigilant® Ultra-Efficient

**Junction Box**

- C Wiring Box
- E No Junction Box

**Certification**

U UL 1598/A, CSA, NOM

**Lens Material**

- 4 Polycarbonate - Clear
- 7 Tempered Glass - Clear
- L Polycarbonate Dome - Diffused

**Beam Distribution**

- E Aisle
- M Medium
- N Narrow
- R High Efficacy Round

**CCT & CRI**

- B Cool White 5000K - 70 CRI
- C Cool White 5000K - 80 CRI
- L Neutral White 4000K - 70 CRI
- N Neutral White 4000K - 80 CRI

**Operating Voltage**

- 2 100-277 VAC / 120-250 VDC
- 5 347-480 VAC

**Lumen Type<sup>1</sup>**

- A 12,100 Lumens
- B 15,000 Lumens
- C 19,100 Lumens
- E 26,300 Lumens
- F 30,900 Lumens
- H 35,700 Lumens
- J 41,300 Lumens

**Controls**

J IntelliLED Wireless

**Mounting Options**

- H Hook
- N 3/4" NPT
- P Secondary Retention Bracket

**Power Cable**

- N No Cord (Wiring Box only)
- W 10' [3 meter] Power Cable

**Electrical Accessories\***

N No Plug

\*Cord & plug options available upon request

**Coatings**

G Gray (RAL 7040)

**Option**

N No Option

**Notes**

1) Lumen type based on using a glass lens, round optic, 70 CRI. See page 14 for output of other options.

Please reference spec sheet at [www.dialight.com](http://www.dialight.com) for all High Bay technical information.

**DISCLAIMER.** All product information provided is, to the best of Dialight's knowledge, accurate as of the date of publication. When ordering, refer to [www.dialight.com](http://www.dialight.com) for current versions of: (a) relevant product documentation (including the relevant product data sheets); (b) Dialight terms and conditions of sale; and, (c) the relevant product warranty. To the extent that any contract is deemed formed between Dialight and the purchaser of Dialight products and/or an end-user, versions of documents available at [www.dialight.com](http://www.dialight.com) as at the date of sale shall be the versions incorporated therein. In the event of any discrepancy between this document or information provided at [www.dialight.com](http://www.dialight.com), the latter shall prevail.

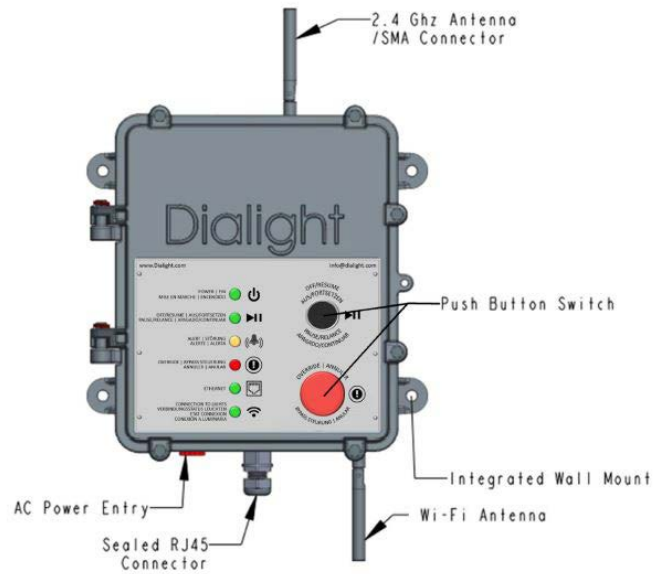
## Gateway Controller



The gateway wirelessly integrates fixtures and sensors, offering ground-level control for up to 120 nodes (fixtures and sensors).

### Certifications & Ratings

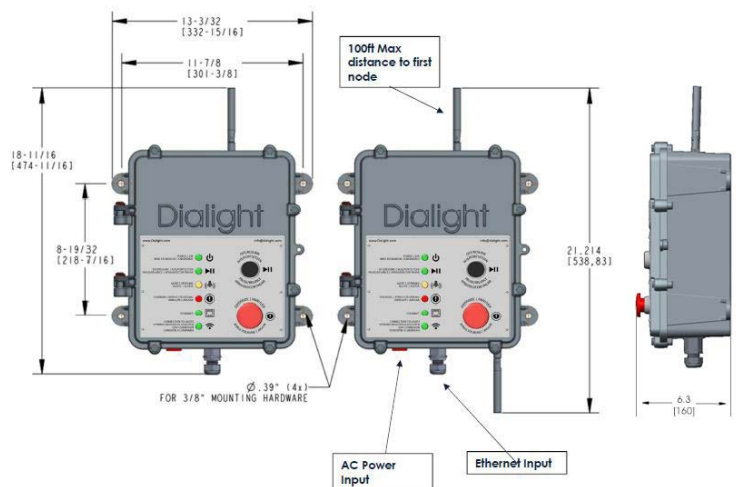
- 5 year warranty
- UL 916
- CSA C22.2 No. 205
- FCC
- Canada IC
- NEMA 4X
- IP66
- EN 55032
- EN 55016-2-1
- EN 55016-2-3
- EN 61000-3-2
- EN 61000-3-3
- EN 61000-4-2
- EN 61000-4-3
- EN 61000-4-3
- EN 61000-4-4
- EN 61000-4-5
- EN 61000-4-6
- EN 61000-4-11



### Technical Specifications:

- Weight:** 15.8 lbs (7.2 kg)
- Shipping weight:** 19.2 lbs (8.7 kg)
- Operating voltage:** 100-277 VAC, 50/60Hz
- Operating temperature:** -40°F to +149°F (-40°C to +65°C)
- Ethernet:** 10/100/Gb Ethernet  
Wired and WIFI for connectivity/control
- Wireless protocol:** 2.4 GHz wireless mesh network
- Maximum nodes\*:** 120
- Dimensions (WxDxH):** 13.09" x 6.3" x 21.214"  
323.5mm x 160mm x 538.84mm
- Quick disconnect:** This device must be connected to a quick disconnect device, such as a circuit breaker

All values typical unless otherwise stated (tolerance +/- 10%)  
\*Nodes = fixtures and sensors



Dimensions in inches [mm]

### Ordering Information

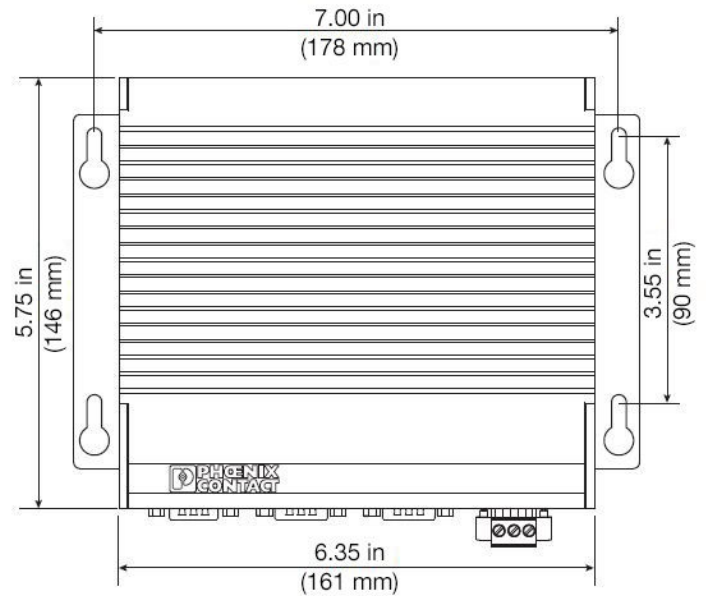
Part Number	Description
GAUW24AG	Gateway (GW), wireless controller

**WARNING - INSTALLATION & SECONDARY RETENTION.** Use of any Dialight products without proper installation (including secondary retention / netting) and periodic inspections could cause severe injury or death. Dialight recommends that all installations should use secondary retention / netting (appropriate to the installation environment) where applicable. It is the exclusive responsibility of the contractor, installer and/or end-user to: (a) determine the suitability of the product for its intended application; and, (b) ensure that the product is safely installed (with secondary retention / netting where appropriate) and in compliance with all applicable laws and regulations. To the extent permissible under applicable laws, Dialight disclaims all liability for personal injury and/or other damage resulting from any dislodgment or other dislocation of its products.

# Enterprise Server



The Enterprise Server offers the flexibility for complete site-wide lighting management through an easy to use web interface.



Dimensions in inches [mm]

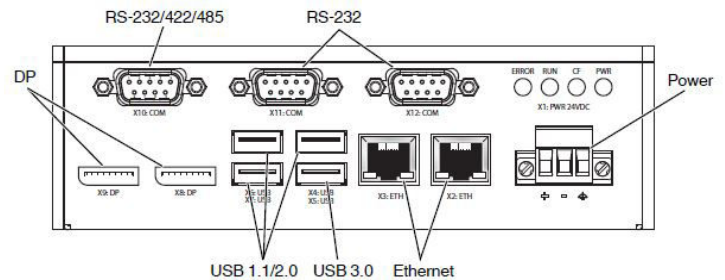
### Certifications & Ratings

- 2 year warranty
- UL 508
- Dry location only
- EN 60068-2-6
- IEC 60068-2-27
- IEC 61000-6-2
- IEC 61000-4-2
- IEC 61000-4-3
- IEC 61000-4-4
- IEC 61000-4-5
- IEC 61000-4-6
- IEC 61000-4-8
- IEC 55022

### Technical Specifications:

<b>Weight:</b>	3.5 lbs (1.6 kg)
<b>Shipping weight:</b>	4.9 lbs (2.2 kg)
<b>Operating voltage:</b>	19.2-28.8 VDC, 65W
<b>Operating temperature:</b>	+32°F to +122°F (0°C to +50°C)
<b>Ethernet:</b>	10/100/Gb Ethernet
<b>Wireless protocol:</b>	2.4 GHz wireless mesh network
<b>Memory (RAM/SSD):</b>	8 GB DDR3 / 250 GB mSATA
<b>Dimensions (WxDxH):</b>	6.4" x 5.75" x 1.93" 162mm x 146.2mm x 49mm

All values typical unless otherwise stated (tolerance +/- 10%)



### Ordering Information

Part Number	Description
DACN825AP	Enterprise Server (ES), with wired communication to Gateway

**WARNING - INSTALLATION & SECONDARY RETENTION.** Use of any Dialight products without proper installation (including secondary retention / netting) and periodic inspections could cause severe injury or death. Dialight recommends that all installations should use secondary retention / netting (appropriate to the installation environment) where applicable. It is the exclusive responsibility of the contractor, installer and/or end-user to: (a) determine the suitability of the product for its intended application; and, (b) ensure that the product is safely installed (with secondary retention / netting where appropriate) and in compliance with all applicable laws and regulations. To the extent permissible under applicable laws, Dialight disclaims all liability for personal injury and/or other damage resulting from any dislodgment or other dislocation of its products.

## Occupancy Sensor



Long Range

Wide Angle

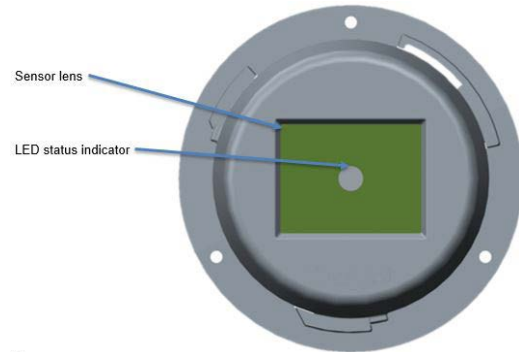
### Certifications & Ratings

- 5 year warranty
- UL 916
- CSA C22.2 No. 205
- IP66

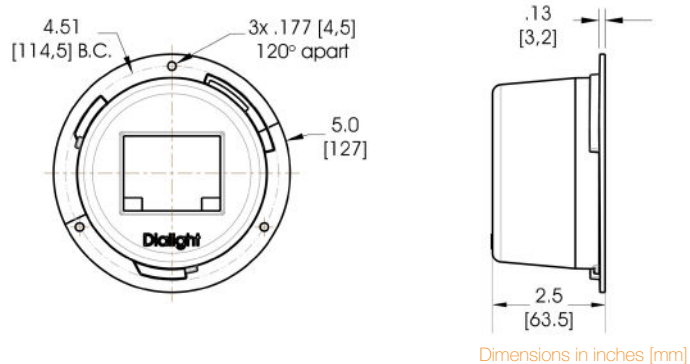
### Technical Specifications:

<b>Weight:</b>	8.8 oz (250 g)
<b>Shipping weight:</b>	1.5 lbs (0.7 kg)
<b>Operating temperature:</b>	-40°F to +140°F (-40°C to +60°C)
<b>Power input:</b>	2x "AA" lithium batteries 1.5V
<b>Mounting:</b>	Ceiling or walls at least 3' to 5' (900mm to 1500mm) height off the ground
<b>Estimated battery life:</b>	2-5 years (based on usage)
<b>Radio frequency:</b>	2.4Ghz
<b>Dimensions (HxD):</b>	5" x 2.5" 125mm x 63.5mm
<b>Sensing area:</b>	Wide angle - 20'-30', 1,250 sq ft, 120° Long range - 100' max, 7,600 sq ft, 10°
<b>Sensing technology:</b>	Passive infrared
<b>Housing:</b>	Grey polycarbonate
<b>Lens:</b>	Diffused high density polyethylene
All values typical unless otherwise stated (tolerance +/- 10%)	

Reduce run time and maximize cost savings with standalone battery powered occupancy sensors in standard or wide angle options.



<b>Green LED</b>	Green LED1 flashes one time when motion is detected. Indicates battery voltage above 2.7 Volts. Green LED flashes twice every 5 seconds while searching for a network connection.
<b>Red LED</b>	A single red LED3 flash indicates motion detected and low battery voltage below 2.7 Volts.
<b>Reset Button</b>	Resets the processor.
<b>LED On/Off Switch</b>	Located on bottom of sensor board, it will turn the LED indicators ON or OFF.
<b>Leave Button</b>	Push and hold for 5 seconds to force sensor to leave its gateway.
<b>Join Button</b>	Push and hold for 5 seconds. Sensor will double blink while trying to join a gateway, Sensor will stop blinking if it doesn't join a gateway within 30 minutes.



### Ordering Information

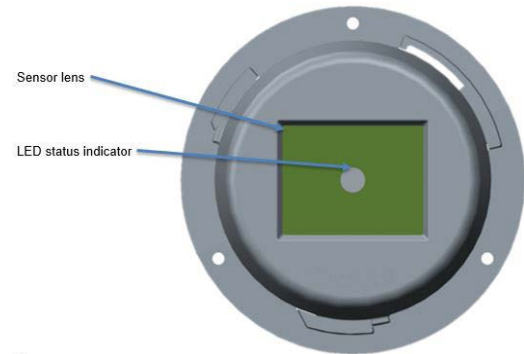
Part Number	Description
WOSU22BG2	Occupancy Sensor, battery powered sensor - wide angle
WOSU12BG2	Occupancy Sensor, battery powered sensor - long range

**WARNING - INSTALLATION & SECONDARY RETENTION.** Use of any Dialight products without proper installation (including secondary retention / netting) and periodic inspections could cause severe injury or death. Dialight recommends that all installations should use secondary retention / netting (appropriate to the installation environment) where applicable. It is the exclusive responsibility of the contractor, installer and/or end-user to: (a) determine the suitability of the product for its intended application; and, (b) ensure that the product is safely installed (with secondary retention / netting where appropriate) and in compliance with all applicable laws and regulations. To the extent permissible under applicable laws, Dialight disclaims all liability for personal injury and/or other damage resulting from any dislodgment or other dislocation of its products.

# Daylight Harvesting Sensor



Reduce run time and maximize cost savings with standalone AC wired daylight harvesting sensors to control light levels.



### Certifications & Ratings

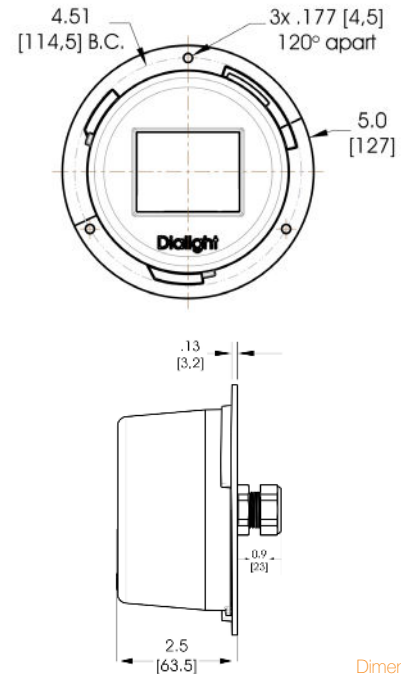
- 5 year warranty
- UL 916
- CSA C22.2 No. 205
- EN 55022: 2008
- EN 61000-4-5: 2014
- EN 61000-4-6: 2014
- EN 61000-4-11: 2004

Green LED	Ready to join network: Light blinks twice quickly Identify: Light will blink steadily on/off
-----------	---

### Technical Specifications:

<b>Weight:</b>	10 oz (238 g)
<b>Shipping weight:</b>	1.5 lbs (0.7 kg)
<b>Operating voltage:</b>	100-277 VAC, 50/60Hz, 100mA max.
<b>Operating temperature:</b>	-13°F to +149°F (-25°C to +65°C)
<b>Mounting:</b>	Ceiling or walls at least 5' (1500mm) height from the ground away from direct sunlight or obstructions
<b>Radio frequency:</b>	2.4Ghz
<b>Object detection:</b>	Light
<b>Dimensions (HxD):</b>	5" x 2.5" 125mm x 63.5mm
<b>Housing:</b>	Grey polycarbonate
<b>Lens:</b>	Polycarbonate

All values typical unless otherwise stated (tolerance +/- 10%)



Dimensions in inches [mm]

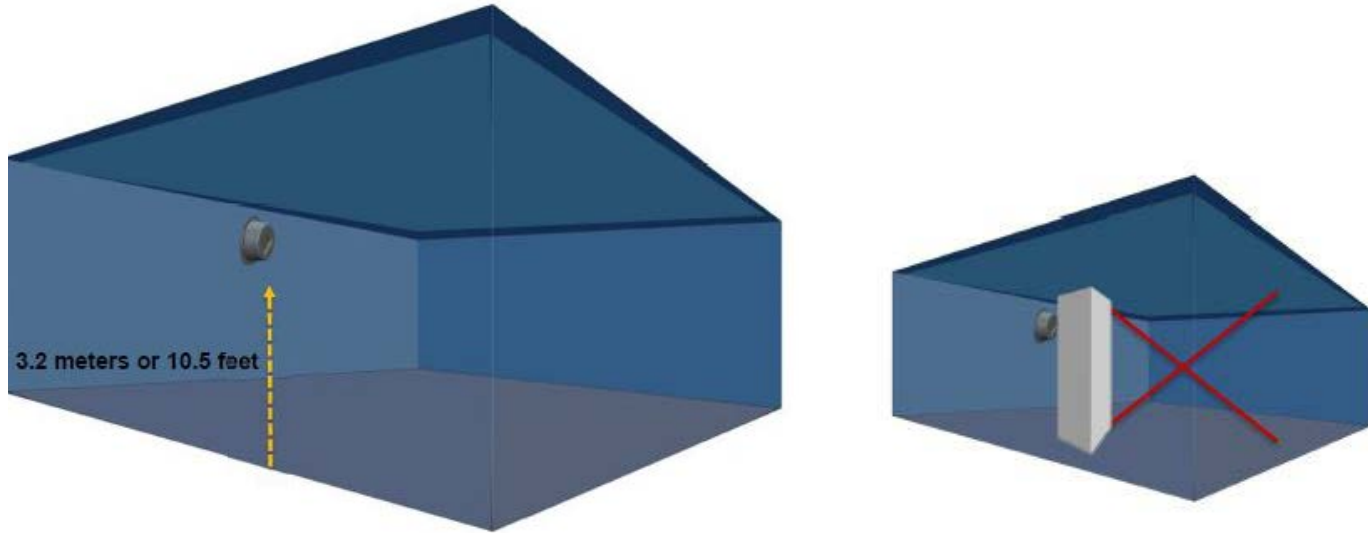
### Ordering Information

Part Number	Description
DLHU124UG2	Daylight Harvesting Sensor, standalone, AC wired sensor

**WARNING - INSTALLATION & SECONDARY RETENTION.** Use of any Dialight products without proper installation (including secondary retention / netting) and periodic inspections could cause severe injury or death. Dialight recommends that all installations should use secondary retention / netting (appropriate to the installation environment) where applicable. It is the exclusive responsibility of the contractor, installer and/or end-user to: (a) determine the suitability of the product for its intended application; and, (b) ensure that the product is safely installed (with secondary retention / netting where appropriate) and in compliance with all applicable laws and regulations. To the extent permissible under applicable laws, Dialight disclaims all liability for personal injury and/or other damage resulting from any dislodgment or other dislocation of its products.

## Sensor Mounting

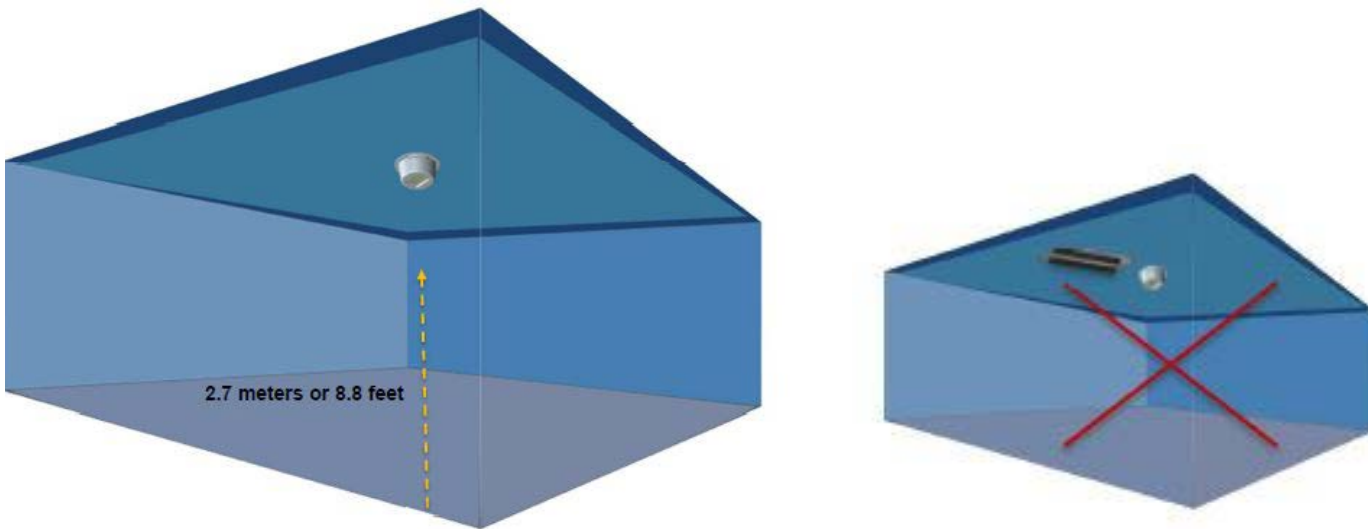
### Long Range Sensor Wall Mount



The long range sensor is best used as a wall mounted sensor. The recommended install for this sensor is 3.2 meters or 10.5 feet from the floor.

Avoid placing sensors where obstacles can block the sensor's line of sight.

### Wide Angle Sensor Ceiling Mount



The wide optic sensor is best used as a ceiling mounted sensor. The recommended install for this sensor is 2.7 meters or 8.8 feet from the floor.

Sensor should be mounted 6 feet away from any open air vent or strong air supply openings.

DISCLAIMER. All product information provided is, to the best of Dialight's knowledge, accurate as of the date of publication. When ordering, refer to [www.dialight.com](http://www.dialight.com) for current versions of: (a) relevant product documentation (including the relevant product data sheets); (b) Dialight terms and conditions of sale; and, (c) the relevant product warranty. To the extent that any contract is deemed formed between Dialight and the purchaser of Dialight products and/or an end-user, versions of documents available at [www.dialight.com](http://www.dialight.com) as at the date of sale shall be the versions incorporated therein. In the event of any discrepancy between this document or information provided at [www.dialight.com](http://www.dialight.com), the latter shall prevail.



## North American HQ

1501 Route 34 South  
Farmingdale, NJ 07727

Tel: 732-919-3119

Fax: 732-751-5778

info@dialight.com

### WARNING / DISCLAIMERS:

**Installation & secondary retention.** The use of this product without proper installation (including secondary retention / netting) and periodic inspections, could cause severe injury or death. Dialight recommends that all installations should use secondary retention / netting (appropriate to the installation environment) as applicable. Dialight products are intended for ultimate purchase, installation and operation by knowledgeable persons trained in the functional assessment, installation, use and maintenance of such products and all customers (including but not limited to end customers) are responsible for assessing the suitability of Dialight products for any given installation requirement. It is the exclusive responsibility of the contractor, installer and/or end-user to: (a) determine the suitability of the product for its intended application; and, (b) ensure that the product is safely installed (with secondary retention / netting as appropriate) and in compliance with all applicable laws and regulations.

**Product specifications & warranties.** All product information provided is, to the best of Dialight's knowledge, accurate as of the date of publication. All values and performance data herein are design or typical values when measured under laboratory conditions. The information herein is subject to change without notice. The products / software detailed herein are subject to applicable warranties and terms and conditions of use/purchase. Unless agreed otherwise in writing by an authorized representative of Dialight, Dialight does not represent that its products are fit for any particular purpose and accepts no liability for the installation and/or unauthorised use of its products. When ordering, refer to [www.dialight.com](http://www.dialight.com) for current versions of: (a) relevant product documentation (including relevant product data sheets); (b) Dialight terms and conditions of sale; and, (c) the relevant product warranties. To the extent that any contract is deemed formed between Dialight and the purchaser of Dialight products and/or an end-user, versions of documents available at [www.dialight.com](http://www.dialight.com) as at the date of sale shall be the versions incorporated therein. In the event of any discrepancy between this document and information provided at [www.dialight.com](http://www.dialight.com), the latter shall prevail.

**Exclusion of liability.** To the extent permissible under the relevant law, Dialight disclaims all liability for personal injury and/or other damage resulting from any dislodgment or other dislocation of its products. Whilst Dialight has used its reasonable endeavours to ensure the completeness and accuracy of information herein, Dialight does not assume any liability for damages resulting from use of this information or for any third-party representations made in relation to Dialight products.